



## Features & Benefits

- User selectable measurement range and output type
- IP65 Housing
- High overpressure
- Duct fixing kit included
- 4 Field selectable ranges to cover many applications per transmitter

## Technical Overview

The PA-6P-x differential pressure transmitter is ideal for measuring filter conditions, as well as many other applications in ventilation/air conditioning systems in buildings, laboratory's and clean rooms (air and non- corrosive gases).

Featuring field-selectable output types and 4 pressure ranges, which are easily defined by user selection switches inside the rugged IP65 housing. Also available are an optional LCD display & ModBus/BACnet outputs.

Along with these features the MEMS-based thermo-anemometer on a monolithic silicon chip, combined with CMOS circuitry which provides on-chip integrated analogue-only compensation and conditioning electronics.

## Product Codes

<b>PA-6P-1</b>	Air DP transmitter with multi selectable ranges and user selectable 4-20mA (3-wire) or 0-10Vdc outputs; 0 - 25Pa, 0 - 50Pa, 0 -150Pa, 0 - 250Pa
<b>PA-6P-2 &amp; -HA</b>	Air DP transmitter with multi selectable ranges and user selectable 4-20mA (3-wire) or 0-10Vdc outputs; 0 -50Pa, 0 -100Pa, 0 -300Pa, 0 -500Pa
<b>PA-6P-3</b>	Air DP transmitter with multi selectable ranges and user selectable 4-20mA (3-wire) or 0-10Vdc outputs; 0 -125Pa, 0 -250Pa, 0 -750Pa, 0 -1250Pa
<b>PA-6P-4</b>	Air DP transmitter with multi selectable ranges and user selectable 4-20mA (3-wire) or 0-10Vdc outputs; 0 - 250Pa, 0 - 500Pa, 0 - 1500Pa, 0 - 2500Pa

Suffixes (add to above part code)  
**-LCD** Integral LCD display

### Accessories

<b>DFK</b>	Duct fixing kit
<b>TEE</b>	Tee piece air pressure (pack of 10)
<b>PA-TUBE-8MM</b>	PVC tube 8mm o/d x 1.5mm wall, 30m reel

A 'duct fixing kit' is supplied with the PA-6P-x, consisting of 2m of 6mm ID plastic tubing, 2 x pitot tubes and 4 x fixing screws.



Please Note:

Current versions are NOT loop powered and will require a common 0V connection.

## Specification

Power supply:	
Current output	24Vdc $\pm$ 10% (3-wire)
Voltage output	24Vac/dc $\pm$ 10%
Power consumption	1VA
Measurement ranges	See part codes
DP Resolution	0.1Pa
Overall accuracy (10 to 40°C)	
PA-6P-1	$\pm$ 3% full scale ( $\pm$ 7.5Pa)
PA-6P-2	$\pm$ 2% full scale ( $\pm$ 10Pa)
PA-6P-2-HA	$\pm$ 1% full scale ( $\pm$ 5Pa)
PA-6P-3	$\pm$ 2% full scale ( $\pm$ 25Pa)
PA-6P-4	$\pm$ 2% full scale ( $\pm$ 50Pa)
Long term stability	$\pm$ 1.5% max. per year
Burst pressure	10kPa
Pressure connections	6mm ID tubing
Housing:	
Material	PC/GF (Halogen free, flame retardant & UV stabilized)
Dimensions	125 x 105 x 85mm
Environmental:	
Housing:	-30 to 60°C 0 to 95% non-condensing
Media:	0 to 40°C
Protection	IP65
Country of origin	UK

### WEEE Directive:



At the end of the products useful life please dispose as per the local regulations.  
Do not dispose of with normal household waste.  
Do not burn.



The products referred to in this data sheet meet the requirements of EU Directive 2014/30/EU

## Installation



Antistatic precautions must be observed when handling these sensors. The PCB contains circuitry that can be damaged by static discharge.

1. If the sensor is to be mounted outside, it is recommended that the unit be mounted with the cable entry at the bottom. If the cable is fed from above then into the cable gland at the bottom, it is recommended that a rain loop be placed in the cable before entry into the sensor.
2. In a suitable location, drill two holes at 92mm  $\varnothing$  and fix the housing with appropriate screws.
3. Release the snap-fit lid by gently squeezing the locking tab and feed the cable through the waterproof gland & terminate the cores at the terminal block. Leaving some slack inside the unit, tighten the cable gland onto the cable to ensure water tightness.
4. Select the pressure range and output type according to the tables.
5. Ensure the tubing is cut square and push the pressure tubing firmly over the barb and thread of the pressure ports on the unit. Ensure that the Hi and Lo ports have been correctly identified. The ports can be identified by markings on the pcb inside the lid of the transmitter.
6. Power the unit with either 24Vac/dc depending output signal type and after a stabilising period of 2-3 minutes, functionality checks can be made. Snap shut the lid after the connections have been made.
7. It is recommended that screened cable be used and that the screen should be earthed at the controller only. Care should be taken not to lay control signal wiring in close proximity to power or other cables which may produce significant electromagnetic noise.



### CAUTION

The PA-6P-x will be damaged if subjected to excessive pressure. Do NOT test the unit by blowing into the inlet ports.

## Connections

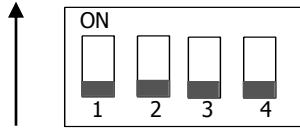
	<b>Current output:</b>	<b>Voltage output:</b>
• Terminal 1-GND	0V (common)	0V (common)
• Terminal 2-24V	24Vdc $\pm$ 10%	24Vac/dc $\pm$ 10%
• Terminal 3-PRESS.OUT	4-20mA / 0-20mA output signal	0-10Vdc/2-10Vdc output signal



### NOTE

Current versions are NOT loop powered and will require a common 0V connection.

### PCB Layout & DIP-Switch Settings



**Note**, the shaded part is the raised section of the dip-switch

#### Signal type:

	Dip-Switch	
	1	2
0-10Vdc	OFF	OFF
2-10Vdc	ON	OFF
0-20mA	OFF	ON
4-20mA	ON	ON

#### Range:

PA-60-1

	Dip-Switch	
	3	4
0-25Pa	ON	ON
0-50Pa	ON	OFF
0-150Pa	OFF	ON
0-250Pa	OFF	OFF

PA-6P-2 & PA-60-2-Ha

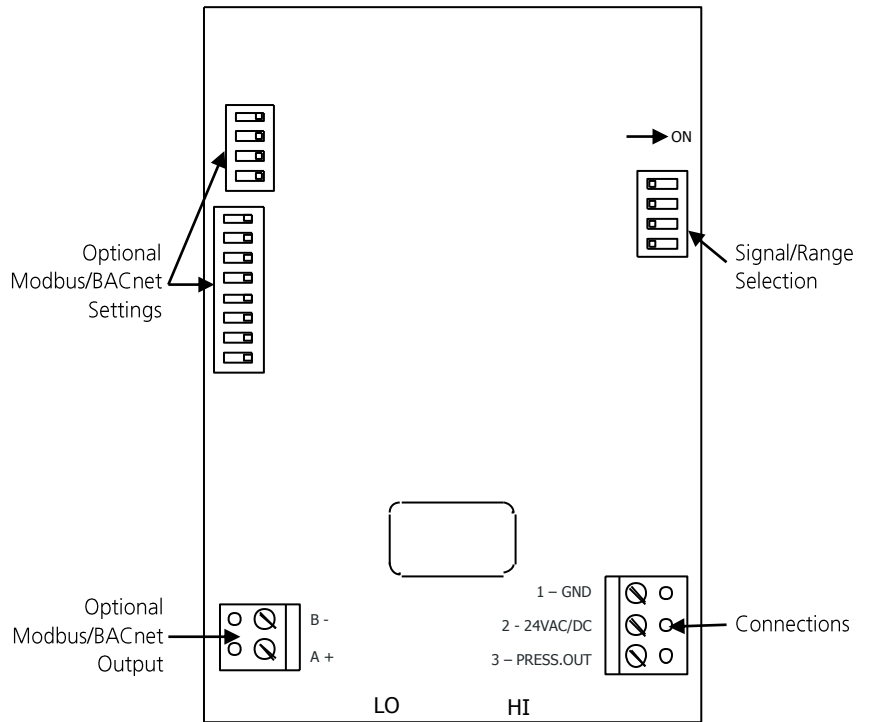
	Dip-Switch	
	3	4
0-50Pa	ON	ON
0-100Pa	ON	OFF
0-300Pa	OFF	ON
0-500Pa	OFF	OFF

PA-6P-3

	Dip-Switch	
	3	4
0-125Pa	ON	ON
0-250Pa	ON	OFF
0-750Pa	OFF	ON
0-1250Pa	OFF	OFF

PA-6P-4

	Dip-Switch	
	3	4
0-250Pa	ON	ON
0-500Pa	ON	OFF
0-1500Pa	OFF	ON
0-2500Pa	OFF	OFF

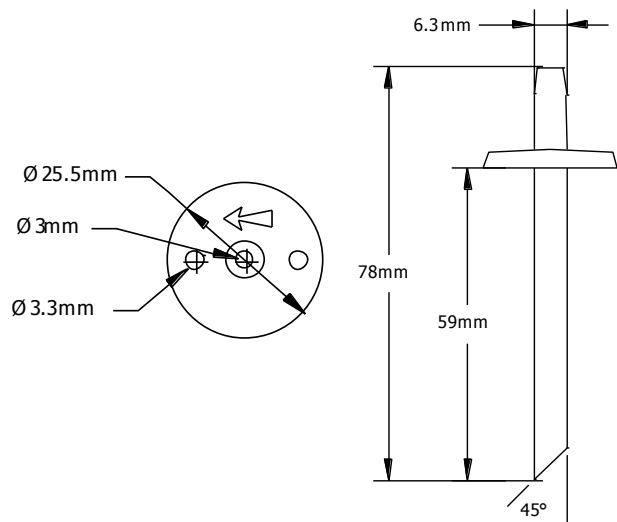


### Duct Fixing Kit

A 'duct fixing kit' is supplied with the PA-6P-x, consisting of 2m of 5mm i/d plastic tubing, 2 x pitot tubes and 4 x fixing screws.



Pitot tube dimensions;



Whilst every effort has been made to ensure the accuracy of this specification, Sontay cannot accept responsibility for damage, injury, loss or expense from errors or omissions. In the interest of technical improvement, this specification may be altered without notice.